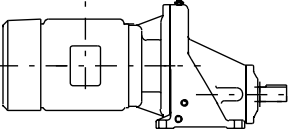
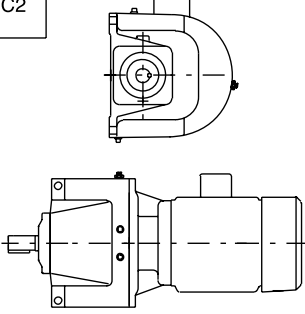
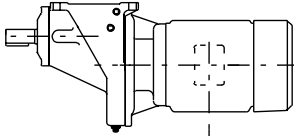
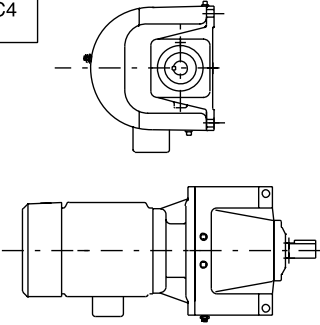
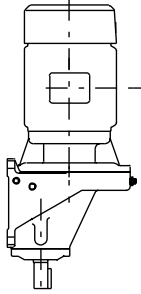
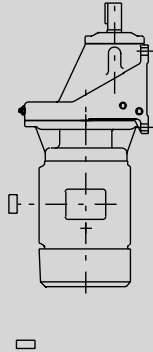
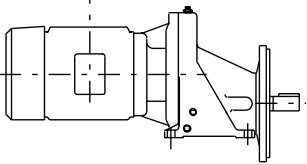
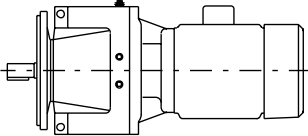
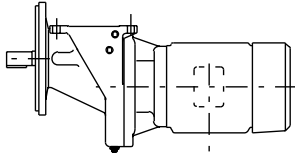
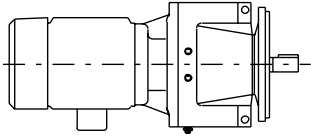
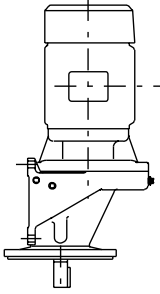
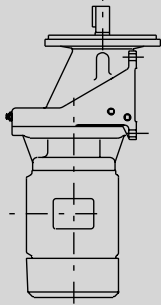


APG Gearmotors

Single Reduction Gearmotor - Foot Mounted and Flange Mounted

<p>* C1</p> 	<p>C2</p> 	<p>C3</p> 
<p>C4</p> 	<p>C5</p> 	<p>C6</p> 
<p>* CF1</p> 	<p>CF2</p> 	<p>CF3</p> 
<p>CF4</p> 	<p>CF5</p> 	<p>CF6</p> 
<p>NOTE: Shaded boxes indicate mounting not recommended. These should be avoided. Use of product in positions not recommended negates time-in-use warranty.</p>		

* Standard Mounting Position

APG

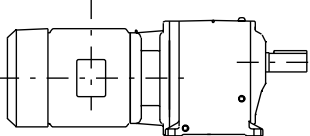
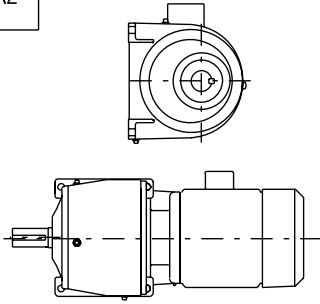
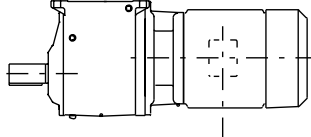
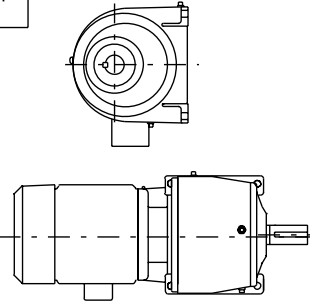
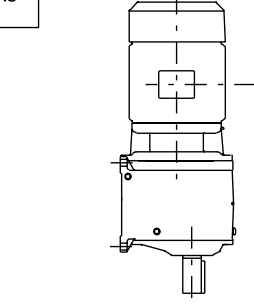
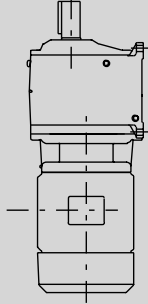
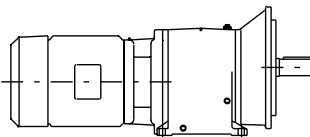
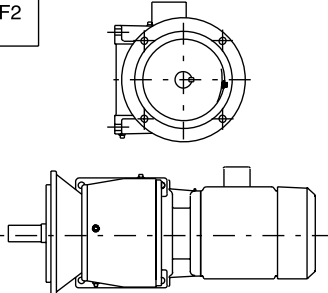
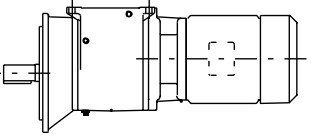
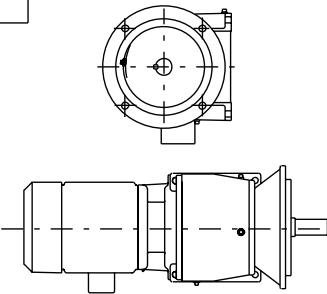
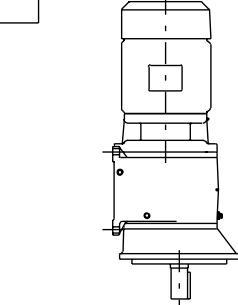
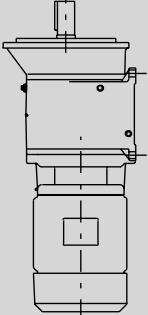
MASTER XL

MOTO DRIVE

ULTIMA

APG Gearmotors

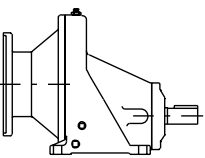
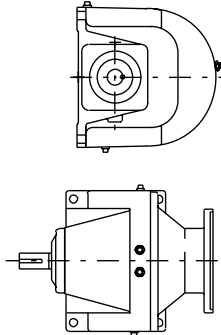
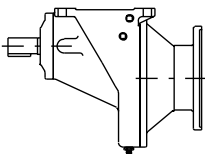
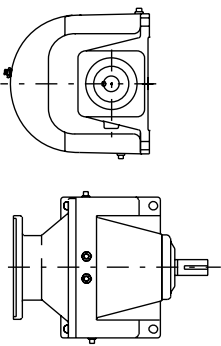
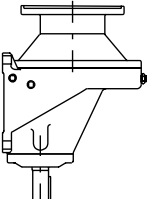
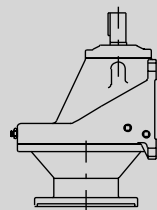
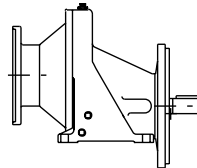
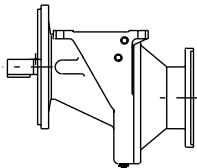
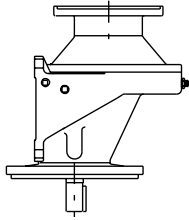
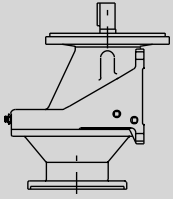
Double/Triple Reduction Gearmotor - Foot Mounted and Flange Mount

<p>* A1</p> 	<p>A2</p> 	<p>A3</p> 
<p>A4</p> 	<p>A5</p> 	<p>A6</p> 
<p>* AF1</p> 	<p>AF2</p> 	<p>AF3</p> 
<p>AF4</p> 	<p>AF5</p> 	<p>AF6</p> 
<p>NOTE: Shaded boxes indicate mounting not recommended. These should be avoided. Use of product in positions not recommended negates time-in-use warranty.</p>		

* Standard Mounting Position

APG Gearmotors

Single Reduction C-Face Reducer - Foot Mounted and Flange Mount

<p>* C1</p> 	<p>C2</p> 	<p>C3</p> 
<p>C4</p> 	<p>C5</p> 	<p>C6</p> 
<p>* CF1</p> 	<p>CF3</p> 	<p>CF5</p> 
<p>CF6</p> 	<p>NOTE: Shaded boxes indicate mounting not recommended. These should be avoided. Use of product in positions not recommended negates time-in-use warranty.</p>	

* Standard Mounting Position

APG

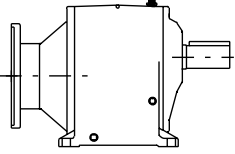
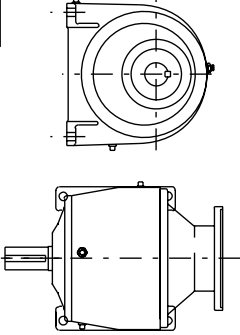
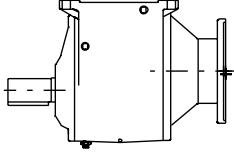
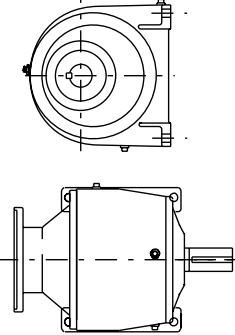
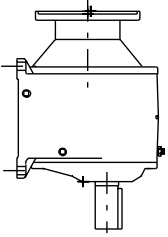
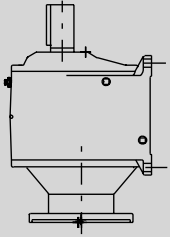
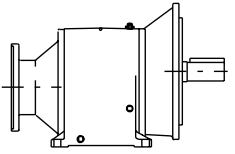
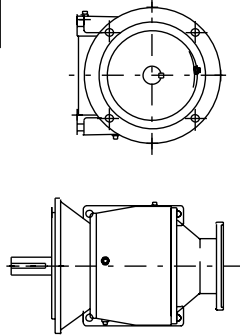
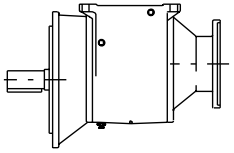
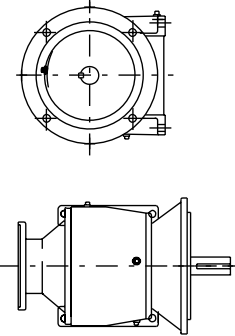
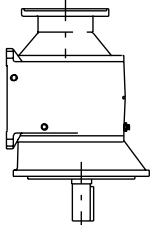
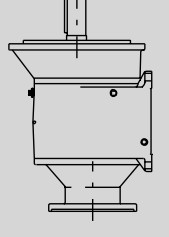
MASTER XL

MOTO DRIVE

ULTIMA

APG Gearmotors

Double/Triple Reduction C-Face Reducer - Foot Mounted and Flange Mount

<p>*A1</p> 	<p>A2</p> 	<p>A3</p> 
<p>A4</p> 	<p>A5</p> 	<p>A6</p> 
<p>*AF1</p> 	<p>AF2</p> 	<p>AF3</p> 
<p>AF4</p> 	<p>AF5</p> 	<p>AF6</p> 
<p>NOTE: Shaded boxes indicate mounting not recommended. These should be avoided. Use of product in positions not recommended negates time-in-use warranty.</p>		

* Standard Mounting Position

APG

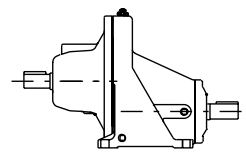
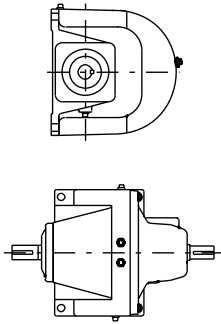
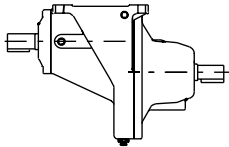
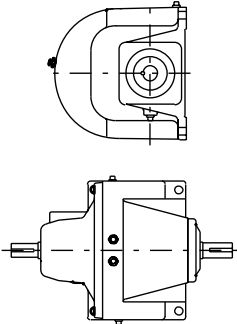
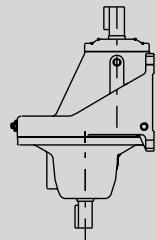
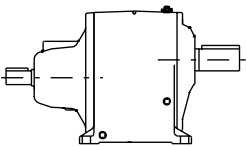
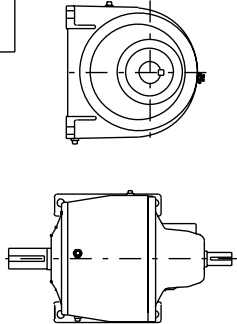
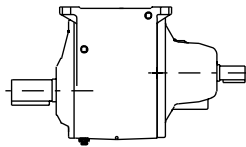
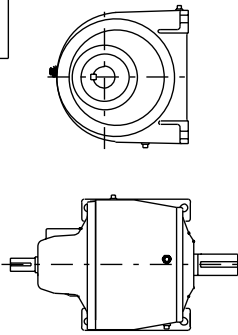
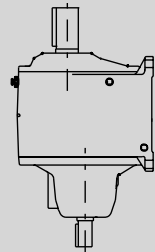
MASTER XL

MOTO DRIVE

ULTIMA

APG Gearmotors

Single/Double/Triple Reduction Separate Reducers - Foot Mounted

<p>*C1</p> 	<p>C2</p> 	<p>C3</p> 
<p>C4</p> 	<p>C5</p> <p>NOT AVAILABLE</p>	<p>C6</p> 
<p>*A1</p> 	<p>A2</p> 	<p>A3</p> 
<p>A4</p> 	<p>A5</p> <p>NOT AVAILABLE</p>	<p>A6</p> 
<p>NOTE: Shaded boxes indicate mounting not recommended. These should be avoided. Use of product in positions not recommended negates time-in-use warranty.</p>		

* Standard Mounting Position

APG

MASTER XL

MOTO DRIVE

ULTIMA